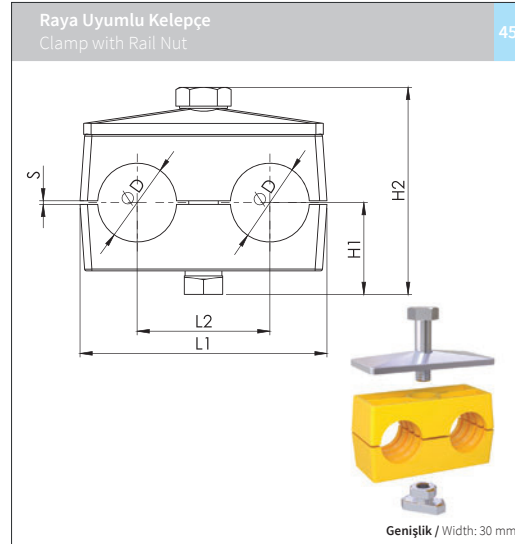


Metal + Kaplama Tipi		Gövde Malzemesi	
Metal + Surface Finishing		Clamp Body Material	
0	Kaplama / Uncoated	A	Alüminyum / Aluminum
1	Fosfat / Phosphated / Fe/Znph	N	Polyamid / Polyamide
3	Galvaniz / Galvanized / Fe/Zn 8C Cr3-B	T	TPE
4	CrNi 304 / AISI 304	P	Polipropilen / Polypropylene
6	CrNi 316 / AISI 316		
9	Çinko Nikel / Zinc Nickel / Fe/ZnNi		

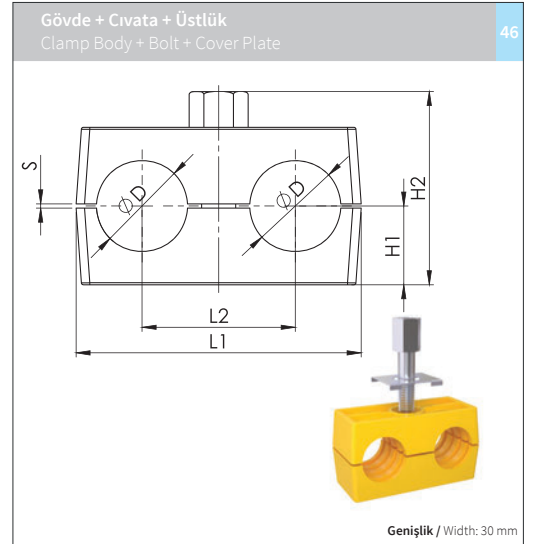
Farklı malzeme talepleriniz için lütfen LMC Makina'ya danışınız.

For different material request please consult LMC Makina.



C	D	7	0	M	1	3	P	1	S	I	1	X	X	X	.	X

Metal + Kaplama Tipi
Metal + Surface Finishing
Gövde Malzemesi
Clamp Body Material
Gövde Renk
Clamp Body Colour
Grup
Group
Ölçü
Size



C	D	a	a	M	6	3	P	1	S	I	1	X	X	X	.	X

Metal + Kaplama Tipi
Metal + Surface Finishing
Gövde Malzemesi
Clamp Body Material
Gövde Renk
Clamp Body Colour
Grup
Group
Ölçü
Size

Grup	Diş Çap (ØD)	Anma Çapı (R) Boru Diş	Diş Çap (ØD)
Group	O.D. of Pipe / Tube/Hose mm	Nominal Bore Pipe inch	O.D. of Pipe / Tube/Hose inch
I1	6		
	6.4		1/4
	8		5/16
	9.5		3/8
	10	R 1/8	
I2	12		
	12.7		1/2
	13.5	R 1/4	
	14		
	15		
I3	16		3/8
	17.2	R 3/8	
	18		
	19		3/4
	20		
I4	21.3	R 1/2	
	22		7/8
	23		
	25		
	25.4		1
I5	26.9	R 3/4	
	28		
	30		
I5	32		1 1/4
	33.7	R 1	
	35		
	38		1 1/2
	40		
42	R 1 1/4		

Ölçü Tablosu					Sipariş Kodu
Dimension Table					Order Code
L1	L2	H1	H2	S min.	
36	20	20.5	45	0.6	CD70M13P1SI1006.0
					CD70M13P1SI1006.4
					CD70M13P1SI1008.0
					CD70M13P1SI1009.5
					CD70M13P1SI1010.0
					CD70M13P1SI1012.0
53	29	20.5	46.5	0.7	CD70M13P1SI2012.7
					CD70M13P1SI2013.5
					CD70M13P1SI2014.0
					CD70M13P1SI2015.0
					CD70M13P1SI2016.0
					CD70M13P1SI2017.2
67	36	25.5	56.5	0.7	CD70M13P1SI3019.0
					CD70M13P1SI3020.0
					CD70M13P1SI3021.3
					CD70M13P1SI3022.0
					CD70M13P1SI3023.0
					CD70M13P1SI3025.0
82	45	27.5	60.5	0.7	CD70M13P1SI4026.9
					CD70M13P1SI4028.0
					CD70M13P1SI4030.0
106	56	34	73.5	0.7	CD70M13P1SI5032.0
					CD70M13P1SI5033.7
					CD70M13P1SI5035.0
					CD70M13P1SI5038.0
					CD70M13P1SI5040.0
CD70M13P1SI5042.0					

Ölçü Tablosu					Sipariş Kodu
Dimension Table					Order Code
L1	L2	H1	H2	S min.	
36	20	13.5	33	0.6	CDaaM63P1SI1006.0
					CDaaM63P1SI1006.4
					CDaaM63P1SI1008.0
					CDaaM63P1SI1009.5
					CDaaM63P1SI1010.0
					CDaaM63P1SI1012.0
53	29	13.5	33	0.7	CDaaM63P1SI2012.7
					CDaaM63P1SI2013.5
					CDaaM63P1SI2014.0
					CDaaM63P1SI2015.0
					CDaaM63P1SI2016.0
					CDaaM63P1SI2017.2
67	36	18.5	43	0.7	CDaaM63P1SI3019.0
					CDaaM63P1SI3020.0
					CDaaM63P1SI3021.3
					CDaaM63P1SI3022.0
					CDaaM63P1SI3023.0
					CDaaM63P1SI3025.0
82	45	20.5	47	0.7	CDaaM63P1SI4026.9
					CDaaM63P1SI4028.0
					CDaaM63P1SI4030.0
106	56	27	60	0.7	CDaaM63P1SI5032.0
					CDaaM63P1SI5033.7
					CDaaM63P1SI5035.0
					CDaaM63P1SI5038.0
					CDaaM63P1SI5040.0
CDaaM63P1SI5042.0					

* İstek üzerine, ikiz seri boru keleşlerinin delikleri birbirinden farklı çaplarda da üretilebilmektedir.

* In twin series pipe clamps, the diameter of each pipe hole can be produced with different sizes upon request.