



RI-ED Thread reducer/expander

Male BSPP thread - ED-seal (ISO 1179) / Female BSPP thread (ISO 1179-1)

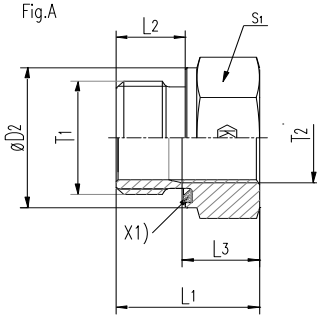
RD/PLX PEFLEXLİ REDÜKSİYON

Sipariş kodu

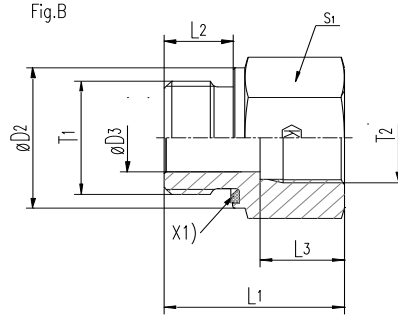
Order code

RD...(506....)

Tip / Type A



Tip / Type B



X1) Elastic-sealing ED

T1	T2	D2	D3	L1	L2	L3	S1	Type Tip	Weight g/1 piece	ITEM CODE	ITEM NAME
										PARÇA KODU	PARÇA ADI
G 1/4A	G 1/8	19	5	28	12	12.0	19	B	16	506010402	RD1/4"-1/8"PLX
G 3/8A	G 1/8	22	-	22.5	12	8.0	22	A	37	506010602	RD3/8"-1/8"PLX
G 3/8A	G 1/4	22	8	36	12	17.0	22	B	68	506010604	RD3/8"-1/4"PLX
G 1/2A	G 1/4	27	-	24	14	12.0	27	A	58	506010804	RD1/2"-1/4"PLX
G 1/2A	G 3/8	27	12	36	14	17.0	27	B	97	506010806	RD1/2"-3/8"PLX
G 3/4A	G 1/4	32	-	26	16	12.0	32	A	103	506011204	RD3/4"-1/4"PLX
G 3/4A	G 3/8	32	-	26	16	12.0	32	A	85	506011206	RD3/4"-3/8"PLX
G 3/4A	G 1/2	32	16	41	16	20.0	32	B	151	506011208	RD3/4"-1/2"PLX
G 1A	G 1/4	40	-	29	18	12.0	41	A	198	506011604	RD1"-1/4"PLX
G 1A	G 3/8	40	-	29	18	12.0	41	A	181	506011606	RD1"-3/8"PLX
G 1A	G 1/2	40	-	29	18	14.0	41	A	152	506011608	RD1"-1/2"PLX
G 1A	G 3/4	40	20	47	18	22.0	41	B	278	506011612	RD1"-3/4"PLX
G 1 1/4A	G 1/2	50	-	32	20	14.0	50	A	309	506012008	RD1 1/4"-1/2"PLX
G 1 1/4A	G 3/4	50	-	32	20	16.0	50	A	276	506012012	RD1 1/4"-3/4"PLX
G 1 1/4A	G 1	50	25	52	20	24.5	50	B	482	506012016	RD1 1/4"-1" PLX
G 1 1/2A	G 1/2	55	-	36	22	14.0	55	A	400	506012408	RD1 1/2"-1/2"PLX
G 1 1/2A	G 3/4	55	-	36	22	16.0	55	A	422	506012412	RD1 1/2"-3/4"PLX
G 1 1/2A	G 1	55	-	36	22	18.0	55	A	346	506012416	RD1 1/2"-1"PLX
G 1 1/2A	G 1 1/4	55	32	58	22	26.5	55	B	571	506012420	RD1 1/2"-1 1/4"PLX

$\frac{PN \text{ (bar)}}{10} = PN \text{ (MPa)}$

Çinko Kaplı / Zinc plated=Cr(VI)-free